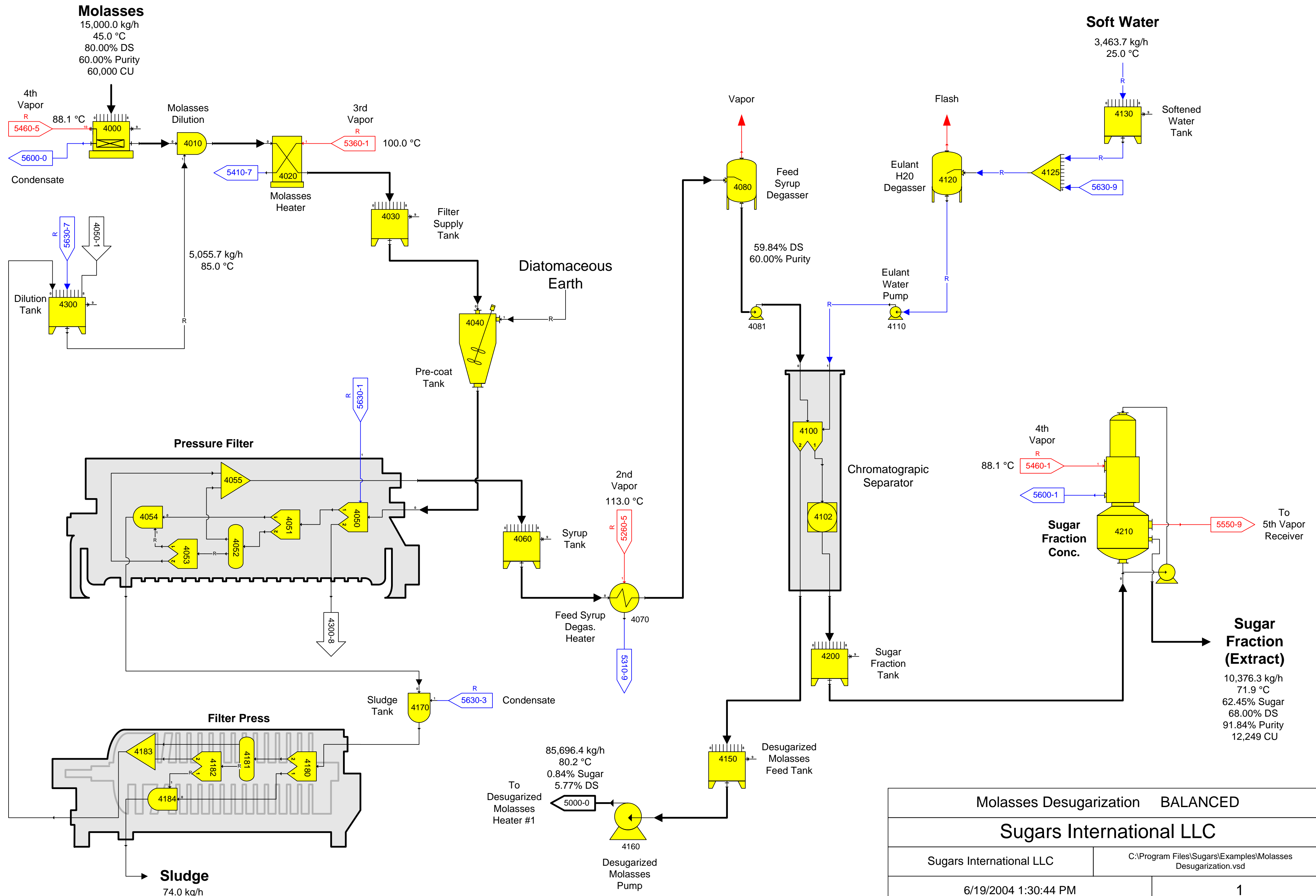


Molasses Desugarization



Molasses Desugarization BALANCED	
Sugars International LLC	
Sugars International LLC	C:\Program Files\Sugars\Examples\Molasses Desugarization.vsd
6/19/2004 1:30:44 PM	1

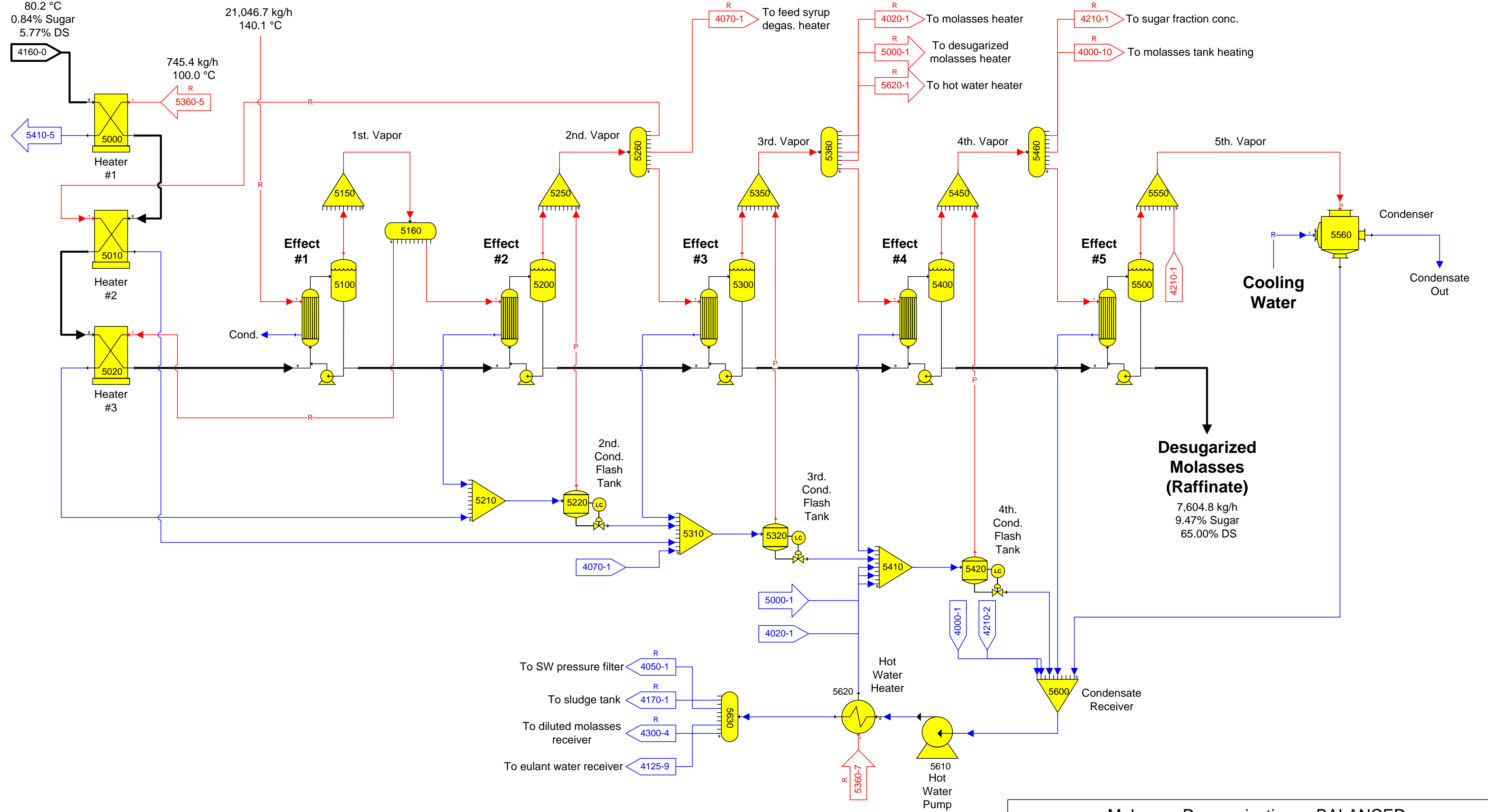
Desugarized Molasses Concentration

Desugarized Molasses

85,696.4 kg/h
80.2 °C
0.84% Sugar
5.77% DS

External Steam

21,046.7 kg/h
140.1 °C



Molasses Desugarization BALANCED	
Sugars International LLC	
Sugars International LLC	C:\Program Files\Sugars\Examples\Molasses Desugarization.vsd
6/19/2004 1:30:44 PM	2