



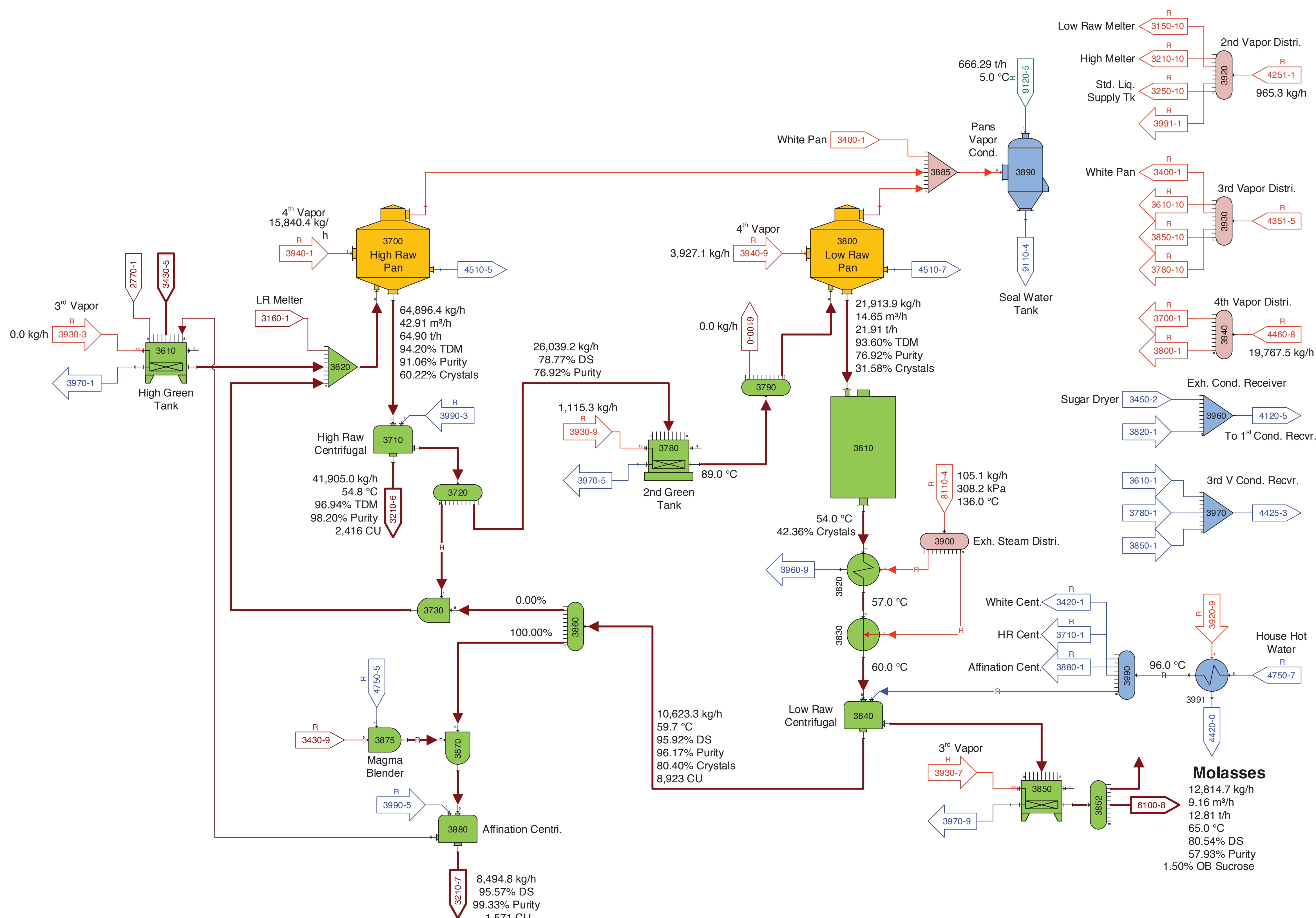
SUGARS
INTERNATIONAL

SUGARS™ for Windows®

FEATURES:

- User friendly Microsoft Visio for the graphical interface
- Modular design to model sugar processes of almost any configuration
- Drag-and-drop station modules to build a model
- Inter-station module communication minimizes user interaction
- Mass, energy and color balances
- Calculate net process revenues for investment decisions
- Easily display data on the drawing
- Use the balance results for other calculations
- Use groupings to model special equipment
- Provide information about the process that can't be measured
- Evaluate energy reduction projects
- Evaluate sugar yield and losses
- Evaluate R & D projects
- Import and export data to interface with other software

High Green and High Raw Crystallization



Sugars International LLC

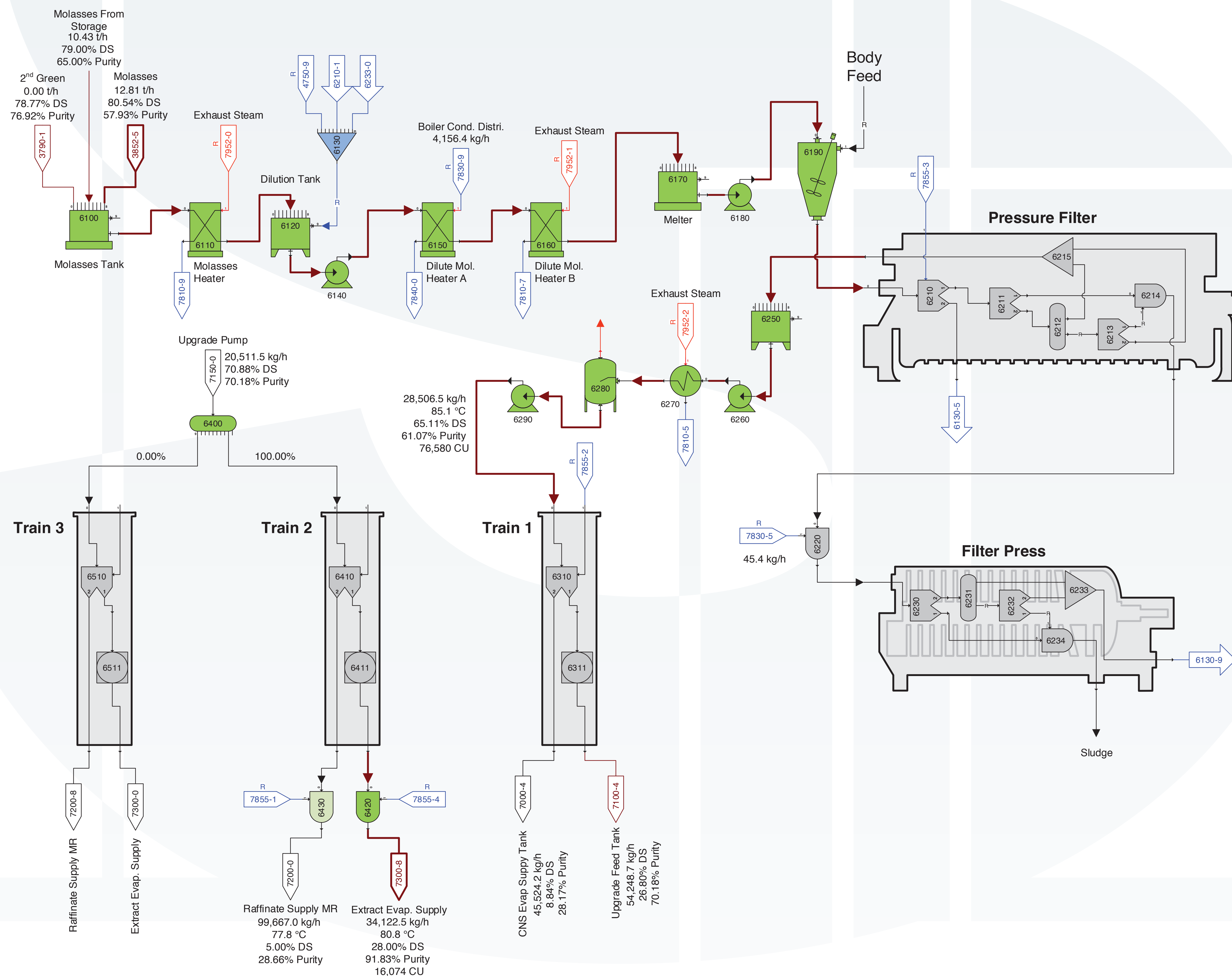
2800 S. University Blvd. #145 | Denver, Colorado 80210-6062 USA
E-Mail: Sugars@SugarsOnline.com | Web site: <http://SugarsOnline.com>



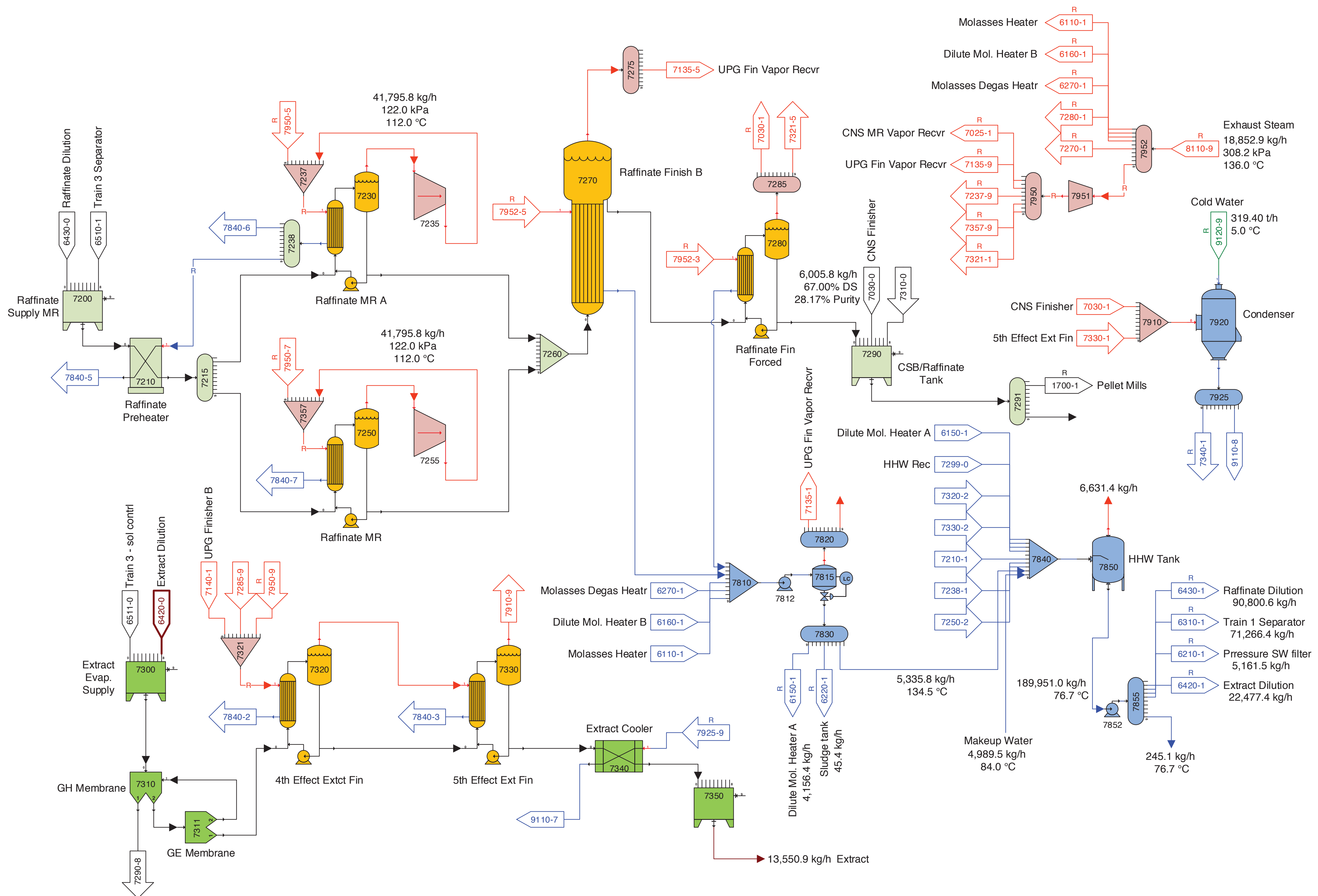
SUGARS
INTERNATIONAL

SUGARS™ for Windows®

MDS Molasses



MDS Evaporation - B



Sugars International LLC

2800 S. University Blvd. #145 | Denver, Colorado 80210-6062 USA
E-Mail: Sugars@SugarsOnline.com | Web site: <http://SugarsOnline.com>